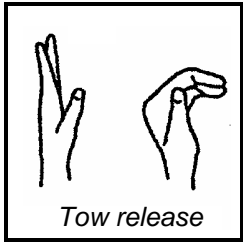
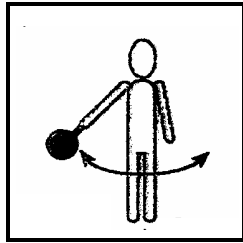


SIGNALS ON THE GROUND

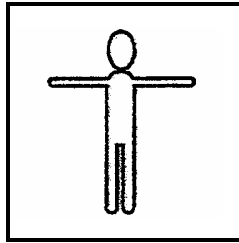
Open/Close tow hitch



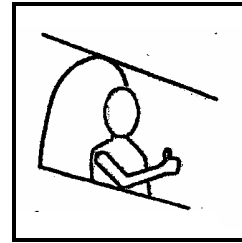
Take up slack line



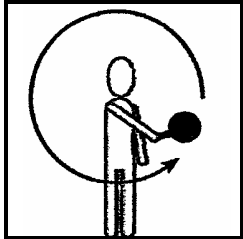
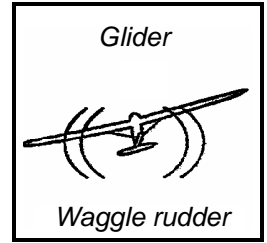
Stop line take up



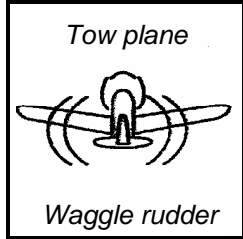
Pilot ready, level wings



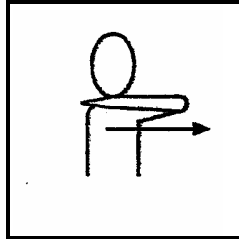
Begin takeoff



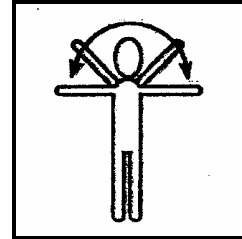
Begin takeoff



Towplane ready



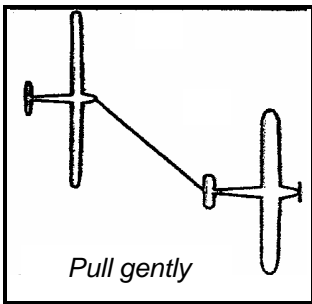
Stop engine/
release towline



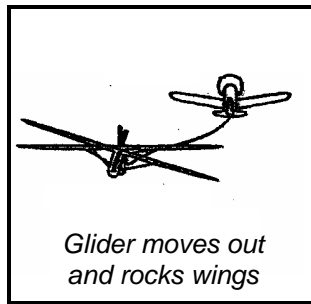
Stop everything
EMERGENCY

SIGNALS IN THE AIR

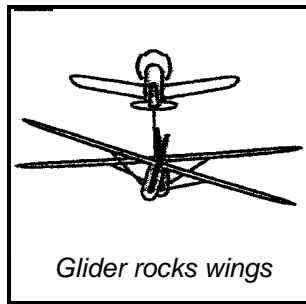
Tow plane turn right



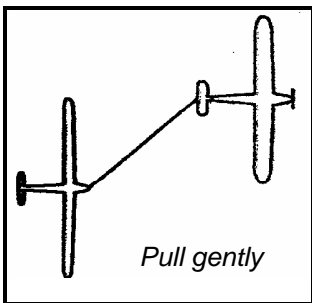
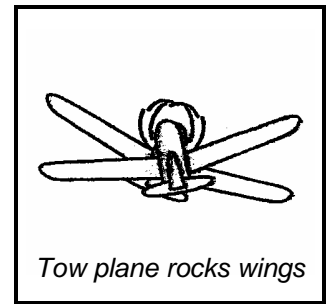
Tow plane to release



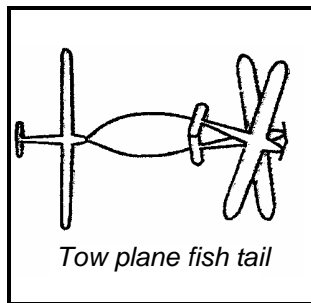
Tow plane go faster



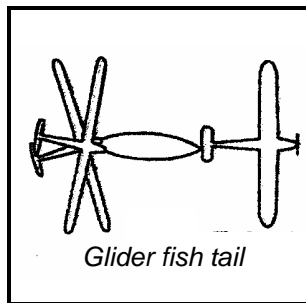
Glider to release



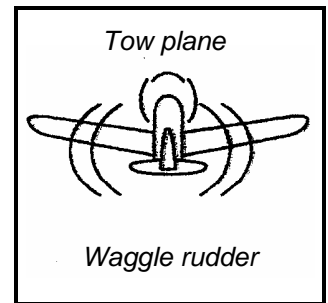
Tow plane turn left



Tow plane can not
release



Tow plane slow down



Problem with glider,
check spoilers